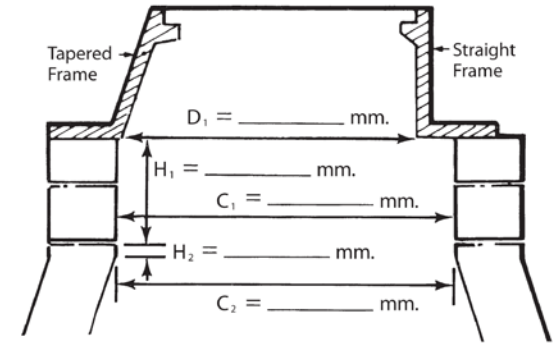




MAINTENANCE HOLE MEASUREMENT WORKSHEET

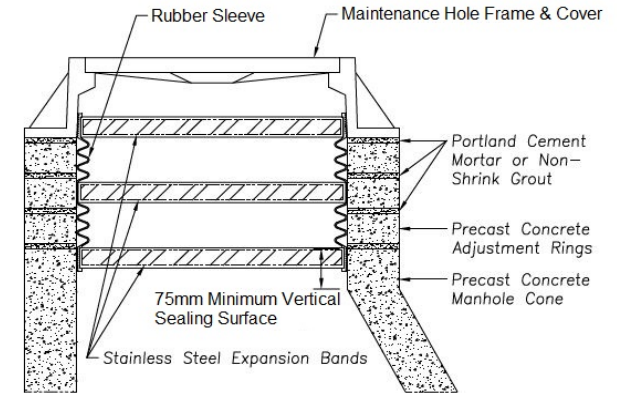
Customer: _____
Contact Name: _____
Phone: _____
Email: _____
Project Location: _____
Signature: _____
NOTE: Complete the manhole measurements portion of this form and submit it to ISC Services admin@iscservices.com.au or directly to your sales rep.



Seal Selection Table

Seal Size	To Span Chimney Heights Of:	Number of Expansion Bands*	LSS Seal Diameter Range available (mm)**
LSS 0-6	0 to 152mm	2	610 to 914
LSS 6-12	152 to 304mm	2	610 to 914
LSS 12-18	304 to 457mm	3	610 to 914
LSS 18-24	457 to 610mm	3	610 to 914

Notes: *Seals are supplied with this number of expansion bands as standard.
 ** Seal diameters 711mm and up or special orders are non-returnable other than factory error or defect.
 # For chimney heights greater than 610mm, extensions may be added. Contact ISC Services for more information



Precast Manhole with internal Seal

Manhole# or Location	"D1"	"C1"	"C2"	"H1"	"H2"	Seal Size, Type and Width	Seal Top Band Size	Seal Bottom Band Size	Seal Middle Band Size



MAINTENANCE HOLE MEASUREMENT WORKSHEET

Manhole# or Location	"D1"	"C1"	"C2"	"H1"	"H2"	Seal Size, Type and Width	Seal Top Band Size	Seal Bottom Band Size	Seal Middle Band Size



MAINTENANCE HOLE MEASUREMENT WORKSHEET

Manhole# or Location	"D1"	"C1"	"C2"	"H1"	"H2"	Seal Size, Type and Width	Seal Top Band Size	Seal Bottom Band Size	Seal Middle Band Size